

¡ Únete al Equipo MPOWER !

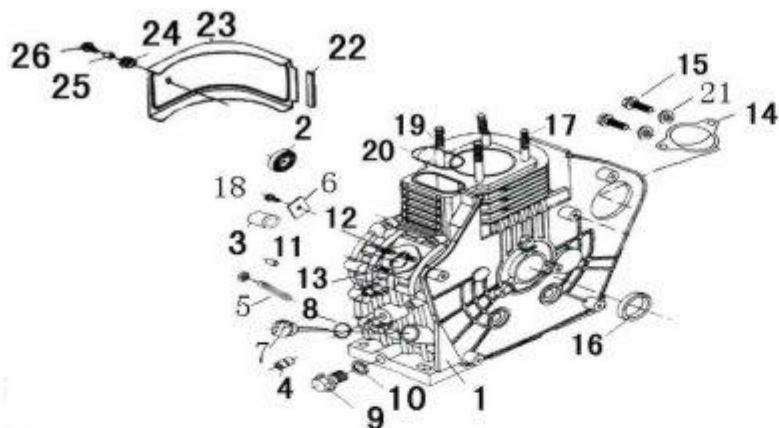


MOTOR DIESEL 9HP 186FD ARRANQUE ELÉCTRICO

**GUÍA BÁSICA
DE PIEZAS
M P O W E R**

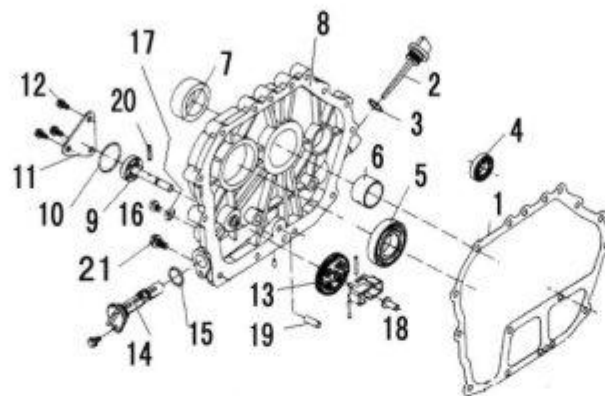


E-1 CRANKCASE ASSY



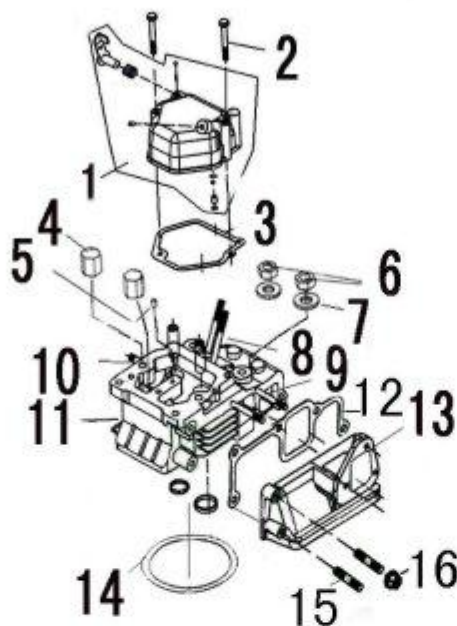
S/N.	Part No.	Description	Quantity	Remark
1	11110/186FD	Crankcase	1	
2	GB/T276-94	Bearing 6203/F5	1	
3	GB/T290-98	Roller bearing	1	
4	GB/T290-98	Roller bearing	2	
5	11160	Oil quantity controller subassembly	1	
6	11151/178FD	Bearing stop patch	1	
7	15511/178FD	Dipstick	1	
8	GB/T3451.1-2005	O-ing	1	
9	11115/178FD	Drain plug	2	
10	11116/178FD	Wahser, drain plug	2	
11	GB/T119.1-2000	Set pin 8m6×12	2	
12	11153/178FD	Bolt AMG×36	2	
13	11154/178FD	Bolt AMG×31	1	
14	12159/178FD	Starter cover board	1	
15	GB/T5783-86	Bolt M10×16	2	
16	GB/T9877.1-1988	Oil seal SG35×50×8	1	
17	11156	Cylinder head connect Bolt	2	
18	GB/T5789-86	Bolt M8 x12	1	
19	11155	Cylinder head connect Bolt	2	
20	11152/178FD	Rectangle pressurize loop	1	
21	GB/T97.1-85	Flat washer 10	2	
22	19122/178FD	Below guide airproof pastern	1	
23	19121	Below guide	1	
24	19123/178FD	Below guide damping pastern	1	
25	16914/178FD	Below guide bush	1	
26	GB/T5789-86	Bolt M6 x 18	1	

E-2 CRANKCASE COVER ASSY



S/N.	Part No.	Description	Quantity	Remark
1	11114/186FD	Gasket, crankcase	1	
2	15511/178FD	Dipstick	1	
3	GB/T3452. 1-2005	O-ring 19×3. 55	1	
4	GB/T276-94	Bearing 6203/P5	1	
5	GB/T276-94	Bearing 6207/P5	1	
6	11217/186FD	Bearing	1	
7	GB/T9877. 1-2008	Oil seal SG35×50×10	1	
8	11211/186FD	Crankcase cover	1	
9	15100/186FD	Oil pump assembly	1	
10	GB/T3452. 1-2005	O-ring 34×1. 8	1	
11	15112/178FD	Cover, oil pump	1	
12	GB/T5789-86	Bolt M6×12	4	
13	15120/178F	Engine oil pump driven gear subassembly	1	
14	15200/178FD	Oil filter Assy	1	
15	GB/T3452. 1-2005	O-ring 20×2. 52	1	
16	GB/T16674. 2-2004	Bolt M10×1×12	1	
17	GB/T97.1-85	Aluminium washer	1	
18	15123	Engine oil pump driven gear slide sheath	1	
19	15215 / 178FD	Enter oil trachea	1	
20	GB/T119.1-200	Set pin 3m6X16	1	
21	GB/T5789-86	Bolt M8X33.5	16	

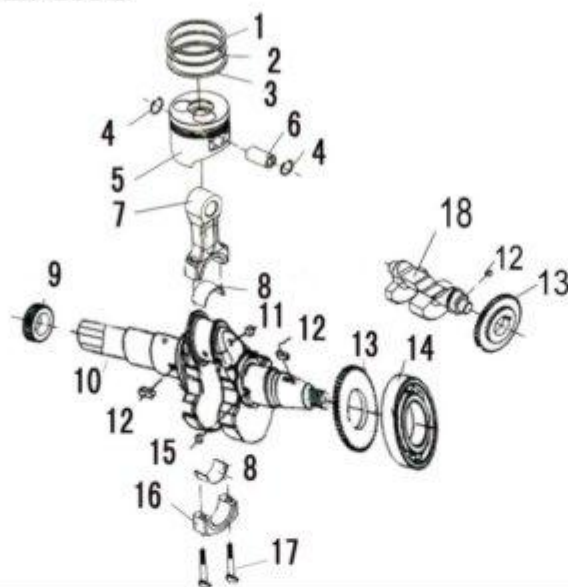
E-3 CYLINDER HEAD & CYLINDER HEAD COVER ASSY



S/N.	Part No.	Description	Quantity	Remark
1	12200/186FD	Cylinder head cover	1	
2	GB/T5789-86	Bolt M6×70	2	
3	12212/186FD	Gasket, cylinder head cover	1	
4	12155	Gasket, cylinder head cover	2	
5	GB/T119.1-200	Set pin 4m6×8	1	
6	12156	Cylinder head nut	2	
7	12157	Cylinder head nut washer	4	
8	GB/T900-88	Bolt AM6×62	2	
9	GB/T900-88	Bolt AM6×93	2	
10	GB/T899-88	Bolt AM8×32	2	
11	12100/186FD	Cylinder head assy	1	
12	17219	Intake pipe washer	1	
13	12151	Cylinder head ir intake pipe	1	
14	12121	Gasket cylinder head	1	
15	11153	Gasket cylinder head	3	
16	GB/T6177.1-2000	Nut M6	3	

GUÍA BÁSICA DE PIEZAS

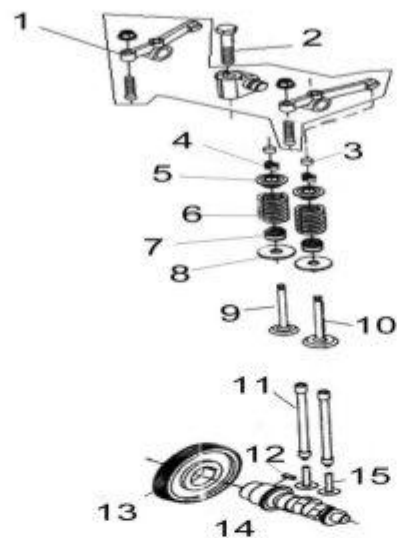
E-4 CRANKSHAFT, PISTON & TIE-ROD



S/N.	Part No.	Description	Quantity	Remark
1	13411/186FD	Piston ring (I)	1	
2	13412/186FD	Piston ring (II)	1	
3	13420/186FD	Scraper ring set	1	
4	13313	Piston pin circlip	2	
5	13311/186FD	Piston	1	
6	13312/186FD	Piston pin	1	
7	13121/186FD	Connecting rod shank	1	
8	13131/186FD	Connecting rod shafting	2	
9	13113	Timing driving gear	1	
10	13111/186FD	Crankshaft	1	
11	GB/T308-2002	Steel ball	1	
12	GB/T1096-2003	Key 5 × 12	2	
13	13151/186FD	Balancing shaft	2	
14	GB/T276-94	Bearing 6308/P5	1	
15	GB/T1096-2003	Key 5 × 7	2	
16	13122/186FD	Connecting rod cap	1	
17	13123/186FD	Bolt	2	
18	13116/186FD	Equilibrium shaft	1	

GUÍA BÁSICA DE PIEZAS

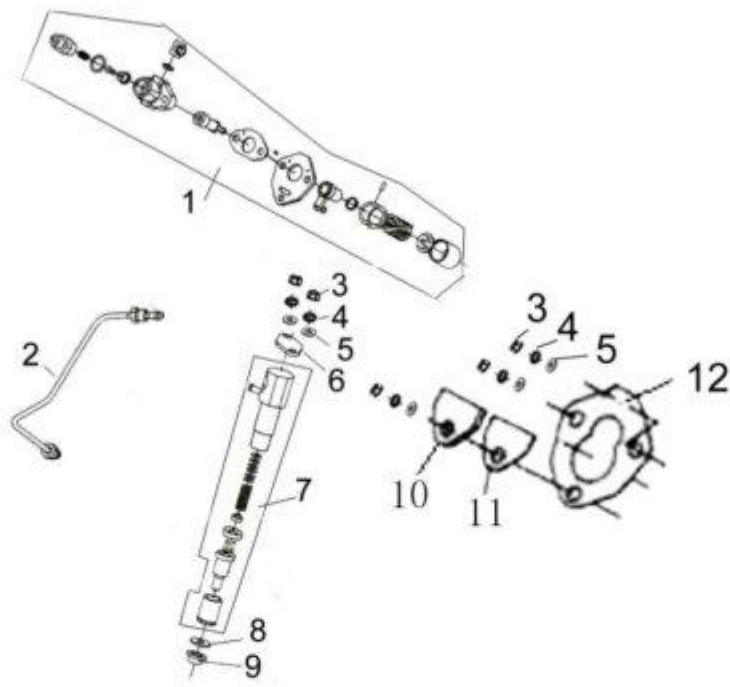
E-5 COMBINATION OF CAM SHAFT & VALVE ROCKER



S/N.	Part No.	Description	Quantity	Remark
1	14330/186FD	Rocker abutment subassembly	1	
2	GB/T16674.1-2004	Bolt M10×55	1	
3	14416	Cap	2	
4	14418	Split pin	2	
5	14415	Intake valve	2	
6	14414	Valve spring	2	
7	14430	Valve Oil seal subassembly	2	
8	14417	Spring seat	2	
9	14412/186FD	Exhaust valve	1	
10	14411/186FD	Intake valve	1	
11	14210	Pusher	2	
12	GB/T1096-2003	Key 5×14	1	
13	14119	Cam shaft Timing driving gear	1	
14	14111/186FD	Cam shaft	1	
15	14315/186FD	Tappet	2	



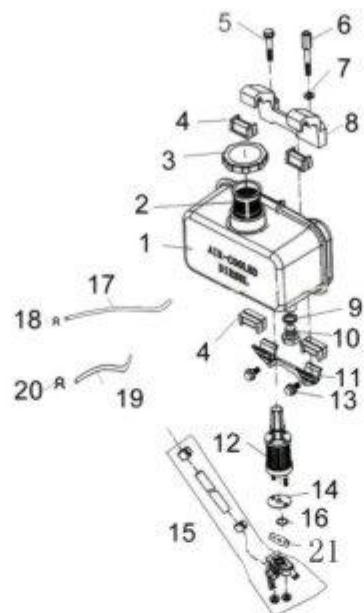
E-6 SPRINKLING PUMP AND SPRINKLING MACHINE ASSEMBLY



S/N.	Part No.	Description	Quantity	Remark
1	28500/186FD	Sprinkling pump assembly	1	
2	28610	High-handed vita subassembly	1	
3	GB/T6170-2000	Nut M6	5	
4	GB/T93-87	Ball washer 6	5	
5	GB/T97.1-85	Flat washer 6	5	
6	28711/178FD	Sprinkling machine seasaw	1	
7	28700/186FD	Sprinkling machine assembly	1	
8	28712/178FD	Sprinkling machine adjust washer	1	
9	12158/178FD	Heat insulation sheath	1	
10	28513/178FD	Observe hole airproof board	1	
11	28512/178FD	Observehole airproof washer	1	
12	28511/178D	Sprinkling pump adjust washer	1	

GUÍA BÁSICA DE PIEZAS

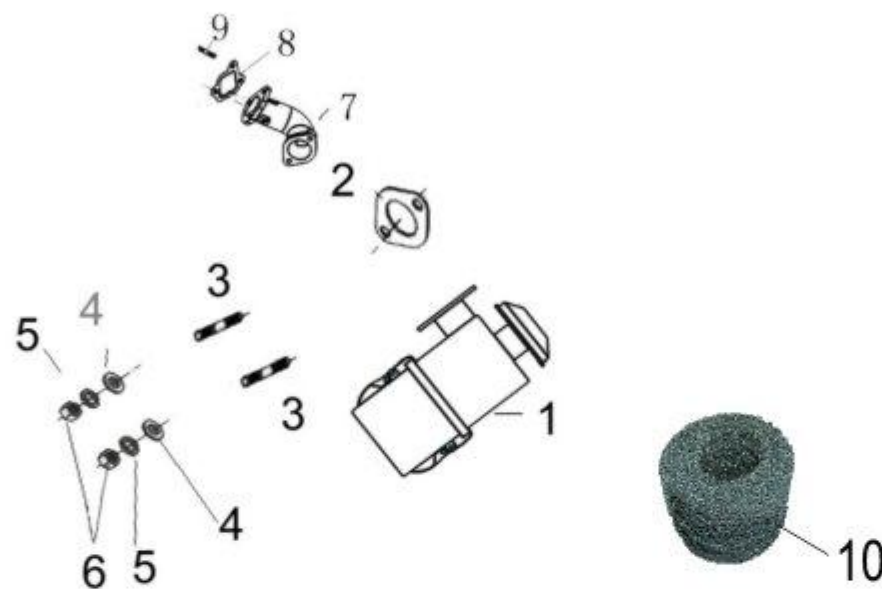
E-7 FUEL TANK ASSY



S/N.	Part No.	Description	Quantity	Remark
1	16500/186FD	Fuel filler cap Assy	1	
2	16610/178FD	Filter cup subassembly	1	
3	16400/178FD	Fuel filler cap sub-assy	1	
4	16911/178FD	Fuel tank cushion	4	
5	GB/T5789-86	Bolt M8×45	1	
6	16548/178FD	Fuel filler cap bracket bolt	1	
7	GB/T97.1-85	Flat washer 8	1	
8	16543/186FD	Fuel filler cap bracket	1	
9	16671/178FD	Oil box discharge bolt washer	1	
10	GB/T5786-2000	Bolt M12×1.25×14	1	
11	16580/178FD	Fuel filler cap belowbracket subassembly	1	
12	16660/186FD	Fuel filter parts	1	
13	GB/T5789-86	Bolt M6×14	2	
14	16664 /178FD	Fuel filter washer	1	
15	16640 /178FD	Fuel cock	1	
16	GB /T3452.1 - 2005	O-ing 13X2	1	
17	16623 /178FD	Outlet pipe	1	
18	16624 /178FD	Pipe clamp	2	
19	16621 /178FD	Outlet pipe	1	
20	16622 /178FD	Pipe clamp	2	
21	16643 /178FD	Fuel switch washer	1	

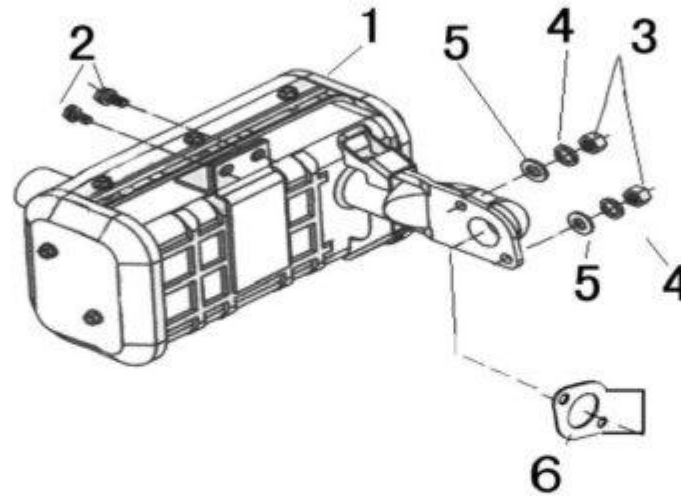
GUÍA BÁSICA DE PIEZAS

E-8 AIR CLEANER ASSY



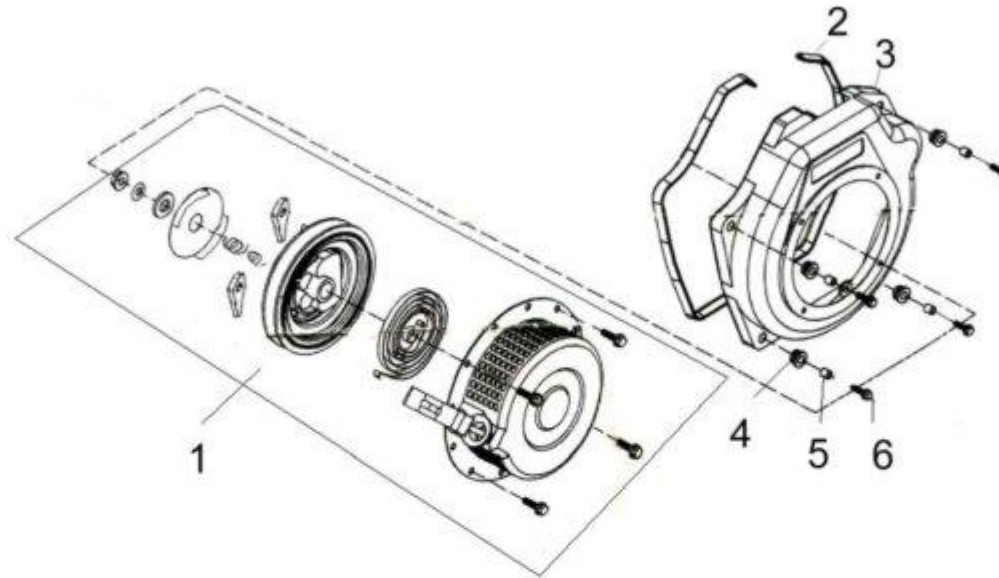
S/N.	Part No.	Description	Quantity	Remark
1	17100/186FD	Air cleanr assembly	1	
2	17113/186FD	Air cleanr washer	1	
3	GB/T899-88	Bolt M8×30	2	
4	GB/T97.1-85	Flat washer 8	2	
5	GB/T93-87	Ball washer 8	2	
6	GB/T6170-86	Nut M8	2	
7	17214/186FD	Air cleanr linker	1	
8	17221/186FD	Air cleanr linke washer	1	
9	GB/T900-88	Bolt M6×30	1	
10	17130 / 186FD	Filtro de Aire	1	

E-9 MUFFLER



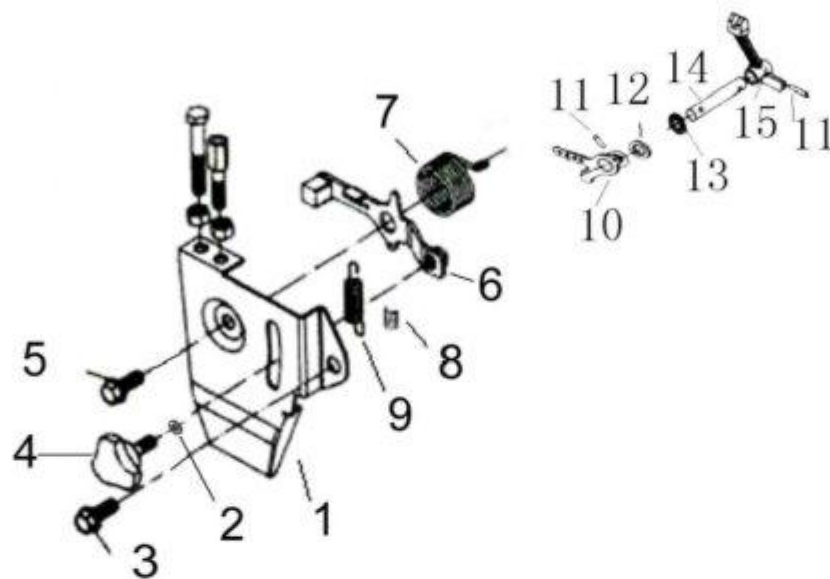
S/N.	Part No.	Description	Quantity	Remark
1	18000/186FD	Muffler	1	
2	GB/T5789-86	Bolt M8×22	2	
3	GB/T6170-2000	Nut M8	2	
4	GB/T93-87	Ball washer 8	2	
5	GB/T97.1-85	Flat washer 8	2	
6	18215/186FD	Exhaust gasket	1	

E-10 RECOIL STARTER



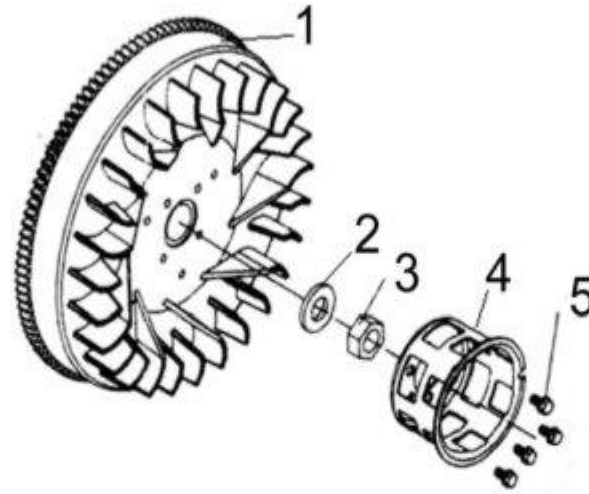
S/N.	Part No.	Description	Quantity	Remark
1	23200/178FD	Recoil starter	1	
2	19223/186FD	Fan hood airproof pastern	1	
3	19211/186FD	Fan hood	1	
4	19224/178FD	Fan hood damping pastern	4	
5	19225/178FD	Fan hood bush	4	
6	GB/T5789-86	Bolt M6×25	4	

E-11 REGULATING CONTROL SYSTEM



S/N.	Part No.	Description	Quantity	Remark
1	26210/178FD	Regulating mount	1	
2	GB/T97.1-85	Flat washer 6	1	
3	GB/T5789-86	Bolt M6×14	1	
4	26261/178FD	Regulating handle	1	
5	GB/T5789-86	Bolt M6×18	1	
6	26220/178FD	Regulating arm Assy	1	
7	26232/178FD	wrest spring	1	
8	26215/178FD	Regulating spring	1	
9	26117/178FD	Back spring	1	
10	26114/178FD	Regulating arm	1	
11	GB/T117-2000	Set pin 3×22	2	
12	26311/178FD	Dial adjust washer	1	
13	26290/178FD	Bearing	1	
14	26312/178FD	Regulating	1	
15	14113/178FD	Dial	1	

E-12 FLYWHEEL



S/N.	Part No.	Description	Quantity	Remark
1	23311/186FD	Flywheel	1	
2	23319	Flywheel nut washer	1	
3	23317	Nut	1	
4	23316/186FD	Starting flange	1	
5	GB/T5789-86	Bolt M6×12	4	

E-13 EMBLEM



S/N	Part No.	Description	Quantity	Remark
1	91111	Emblem, rotundity power	1	
2	91128/178F	Emblem, jump-start	1	
3	91125/178F	Emblem, notice Warning	1	
4	91146/178F	Emblem, Warning	1	
5	91113/178F	Emblem, maintenance of air cleaner	1	
6	91161/178F	Emblem, cleansing adding oil	1	
7	91127/178F	Emblem, Warning	1	
8	91126/178F	Emblem, reading Warning	1	